



Mould Rack

Features ▼



Pull-out shelves can be adjusted.

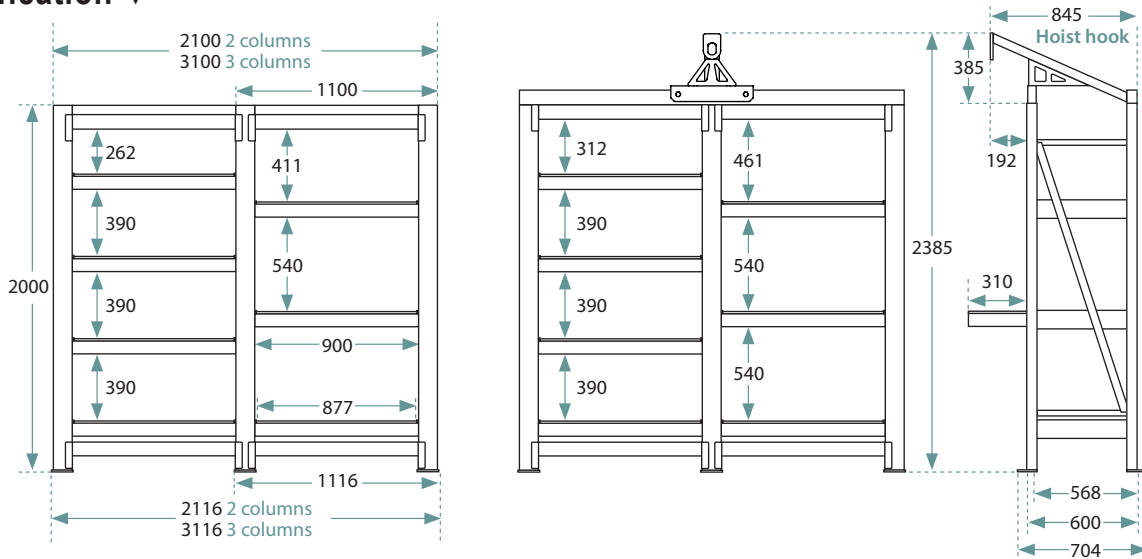


Safety pin



Omni ball transfer unit provides smooth movement.

Specification ▼



MB-206

W2116xD704xH2000

Columns : 2
Pull-out shelf quantity : 6



MB-208

W2116xD704xH2000

Columns : 2
Pull-out shelf quantity : 8



MB-309

W3116xD704xH2000

Columns : 3
Pull-out shelf quantity : 9



MB-312

W3116xD704xH2000

Columns : 3
Pull-out shelf quantity : 12



MB-2061

W2116xD845xH2385

Columns : 2
Pull-out shelf quantity : 6

Hoist rail included



MB-2081

W2116xD845xH2385

Columns : 2
Pull-out shelf quantity : 8

Hoist rail included



MB-3091

W3116xD845xH2385

Columns : 3
Pull-out shelf quantity : 9

Hoist rail included



MB-3121

W3116xD845xH2385

Columns : 3
Pull-out shelf quantity : 12

Hoist rail included

 Per shelf loading :1000kg / Hoist rail loading : 500kg

Unit of Measurement : mm